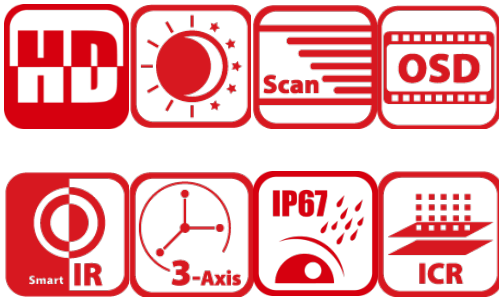


AC316-FD4

5 MP EXIR Turret Camera



Key Features

- 5 megapixel high-performance CMOS
- HD analog output, up to 5 MP resolution
- 2.8mm, 3.6mm fixed lens
- True Day/Night
- OSD menu, DNR, Smart IR
- EXIR technology, up to 30m IR distance
- IP67, IK8
- Up the Coax(HIKVISION-C)

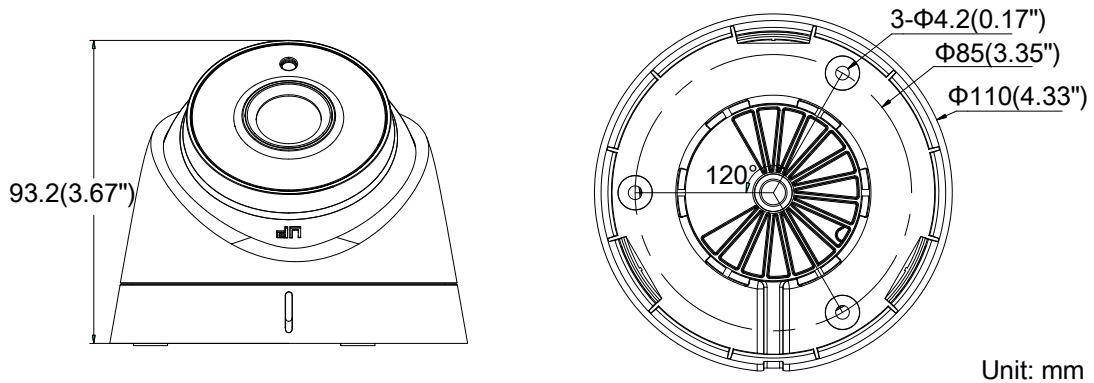
Specifications

Camera	
Image Sensor	5 MP CMOS image sensor
Effective Pixels	2592(H) × 1944(V)
Min. illumination	Color: 0.01 Lux @ (F1.2,AGC ON),0 Lux with IR
Shutter Time	PAL: 1/25s to 1/50,000s NTSC: 1/30 s to 1/50,000 s
Lens	2.8mm, 3.6mm fixed lens
Horizontal Field of View	102° (2.8mm), 82°(3.6mm)
Lens Mount	Φ14
Day & Night	ICR
Angle Adjustment	Pan: 0° to 355°; Tilt: 0° to 75°; Rotate: 0° to 355°
Synchronization	Internal synchronization
Video Frame Rate	2592 × 1944@ 20fps
HD Video Output	1 HD analog output
Menu	
AGC	Support
D/N Mode	Auto/Color/BW(Black and White)
White Balance	ATW/MWB
BLC	Support
Language	English, Chinese
Functions	Brightness, Sharpness, Digital noise reduction, Mirror, Bad pixel correction, Smart IR
General	
Operating Conditions	-40 °C to 60 °C (-40 °F to 140 °F), humidity: 90% or less (non-condensation)
Power Supply	12 VDC ± 20%
Power Consumption	Max. 7.5W
Protection Level	IP67, IK8
IR Range	Up to 30m
Communication	Up the coax, Protocol: HIKVISION-C(TVI output)
Dimensions	4.33" × 3.67"
Weight	Approx. 2 lb.

Order Models

AC316-FD4

Dimensions



Accessories



PM
Vertical Pole Mount



WML-S
Wall Mount



CBM
Junction Box



CM
Corner Mount