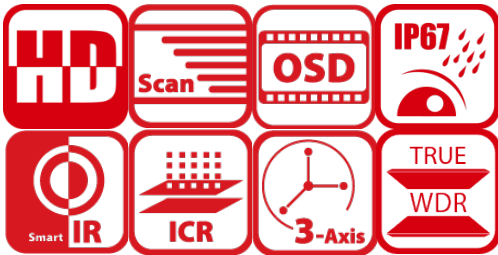


AC344-FD4

2MP Ultra Low-Light VF EXIR Dome Camera



Key Features

- 2.0 megapixel high-performance CMOS
- HD analog output, up to 1080p resolution
- 2.8 mm, 3.6 mm, 6 mm fixed lens
- True Day/Night
- 120 dB true WDR
- OSD menu, DNR, Smart IR
- EXIR 2.0, up to 30 m IR distance
- IP67, IK8
- Up the Coax (HIKVISION-C)

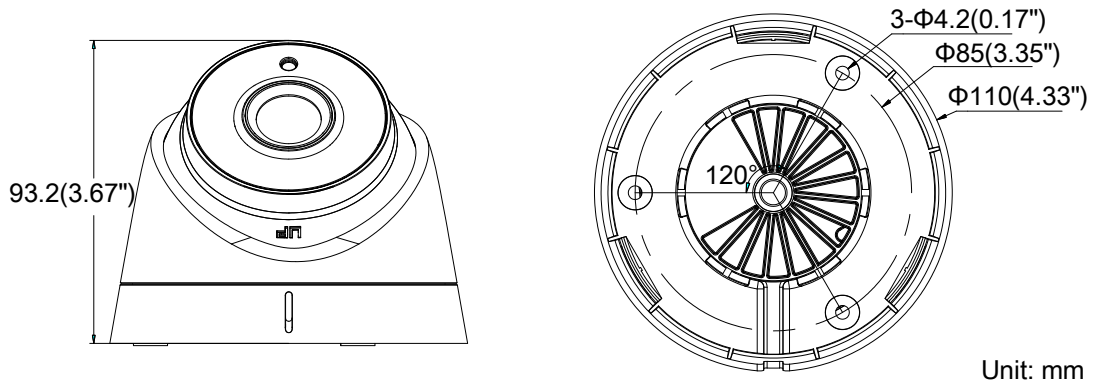
Specification

Camera	
Image Sensor	2.0 megapixel progressive scan CMOS
Signal System	PAL/NTSC
Frame Rate	PAL: 1080p@25fps NTSC: 1080p@30fps
Resolution	1920(H) × 1080(V)
Min. illumination	Color: 0.005 Lux @ (F1.8, AGC ON), 0 Lux with IR
Shutter Time	PAL: 1/25s to 1/50,000s NTSC: 1/30 s to 1/50, 000 s
Slow Shutter	Max. 16 times
Lens	2.8 mm, 3.6mm, 6mm fixed lens
Horizontal Field of View	103° (2.8mm), 82° (3.6mm), 54° (6mm)
Lens Mount	Φ14
Day & Night	IR cut filter
Angle Adjustment	Pan: 0° to 340°, Tilt: 0° to 75°, Rotate: 0° to 355°
Synchronization	Internal synchronization
WDR (Wide Dynamic Range)	> 120 dB
Menu	
AGC	Support
Day/Night Mode	Auto/Color/BW (Black and White)
White Balance	ATW/MANUAL
Privacy Mask	ON/OFF, 4 programmable privacy masks
Motion Detection	4 programmable motion areas
Backlight Compensation	WDR/BLC/HLC/OFF
3D DNR (Digital Noise Reduction)	On
Language	English, Chinese
Functions	Brightness, Sharpness, Mirror, Smart IR
Interface	
Video Output	1 HD analog output
General	
Operating Conditions	-40 °C to 60 °C (-40 °F to 140 °F), humidity: 90% or less (non-condensation)
Power Supply	12 VDC ± 25%
Power Consumption	Max. 7W
Ingress Protection	IP67, IK8
Material	Metal
IR Range	Up to 30m
Communication	Up the coax, Protocol: HIKVISION-C(TVI output)
Dimensions	4.33"× 3.67"
Weight	Approx. 2 lb.

Order Models

AC344-FD4

Dimensions



Accessories



WML-S
Wall Mount



CBM
Junction Box



PM
Pole Mount



CM
Corner Mount